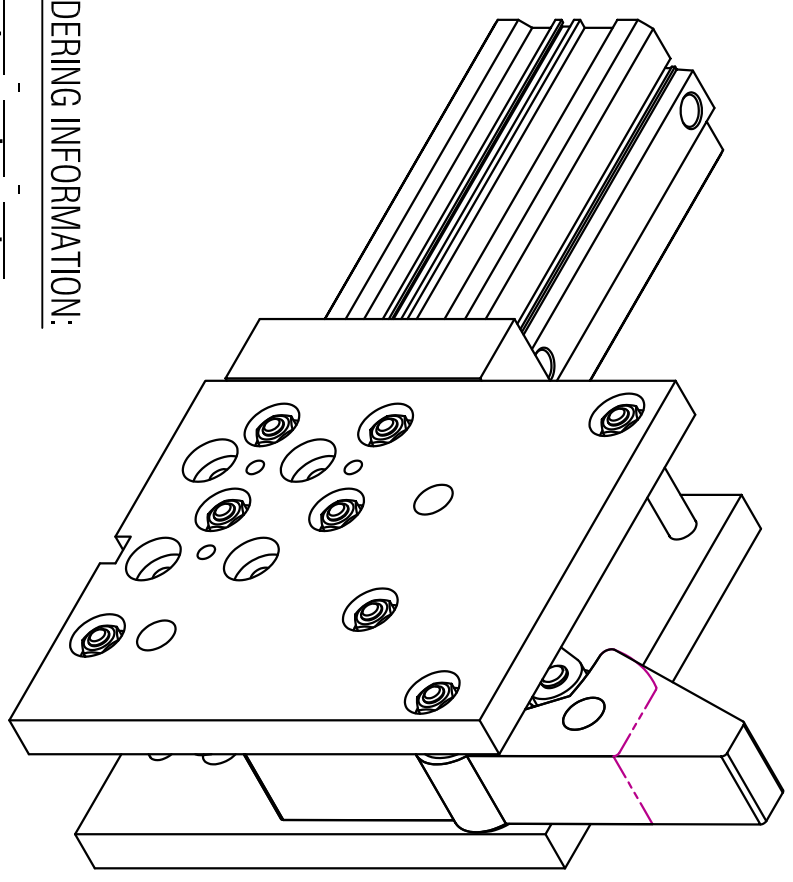


**ORDERING INFORMATION:**

STOP ARM LENGTH - (S) OR (L)  
 ACTUATOR MOUNTED POSITION - (H) OR (V)  
 ACTUATOR - (A) OR (E)

**OPTIONS:**

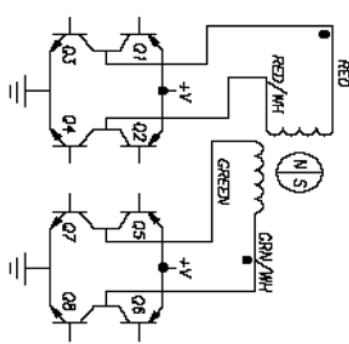
- 1) ACTUATOR - "A" FOR AIR CYLINDER OR "E" FOR ELECTRIC MOTOR
- 2) POSITION - "H" FOR HORIZONTAL MOUNT SHOWN OR "V" FOR VERTICAL MOUNT.
- 3) STOP ARM LENGTH - "S" FOR SHORT OR "L" FOR LONG



**MOTOR SPECIFICATIONS:**

- OPERATING VOLTAGE: 2.5VDC
  - \*\*RESISTANCE PER PHASE: 0.40 OHMS ±10%
  - INSULATION RESISTANCE: 20M OHMS
  - \*POWER CONSUMPTION(TOTAL): 31.2 WATTS
  - \*\*MINIMUM FORCE(100PPS): TBD LBS
  - LINEAR TRAVEL PER STEP: 0.005
  - DIRECTION OF TRAVEL: BI-DIRECTIONAL
  - BEARINGS: BALL
  - WEIGHT: 2.3kg (5.1lbs)
  - OPERATING TEMPERATURE: -40°C TO +55°C
  - STORAGE TEMPERATURE: -40°C TO +100°C
- \* ABOVE VALUES BASED ON L/R DRIVE AT 25°C AMBIENT  
 \*\* AT 25°C AMBIENT

**WIRING DIAGRAM**



BIPOLAR STEP	Q2-Q3	Q1-Q4	Q6-Q7	Q5-Q8
1	ON	OFF	ON	OFF
2	OFF	ON	ON	OFF
3	OFF	ON	OFF	ON
4	ON	OFF	OFF	ON
1	ON	OFF	ON	OFF